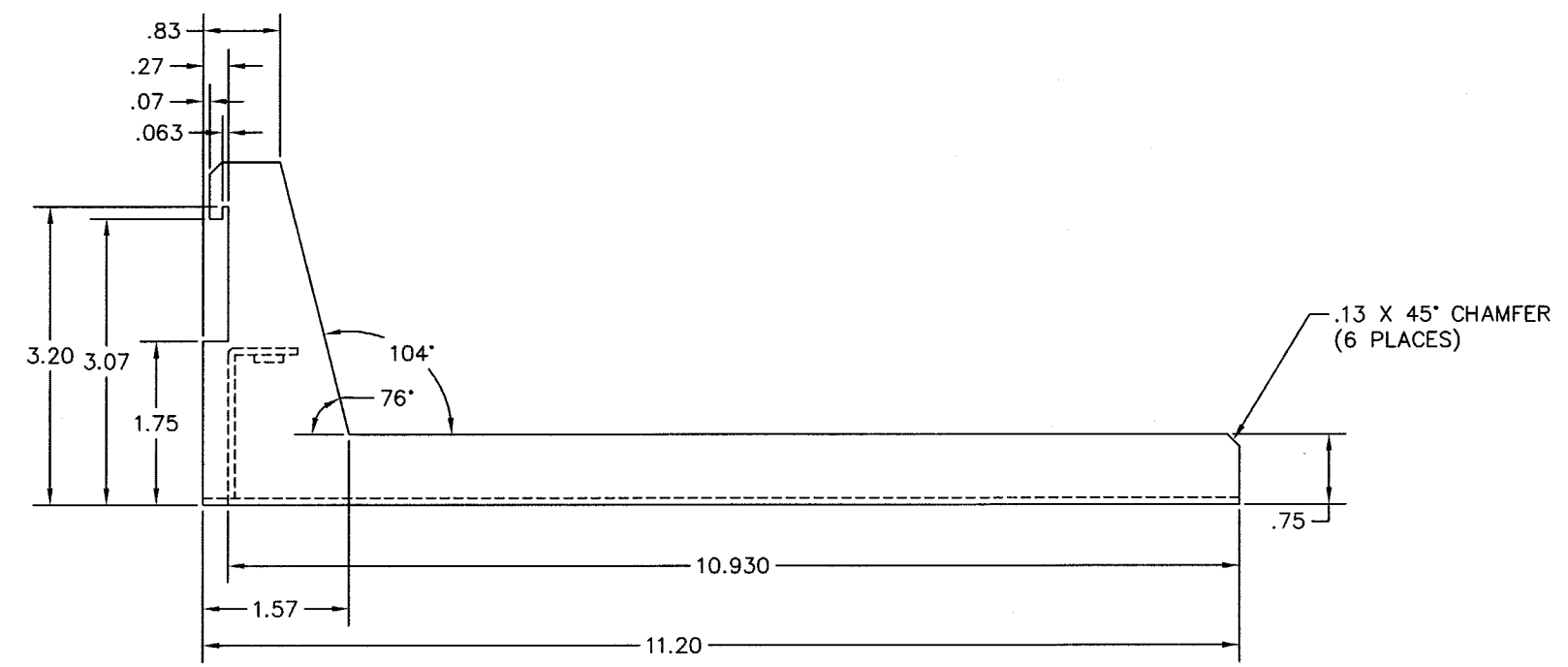
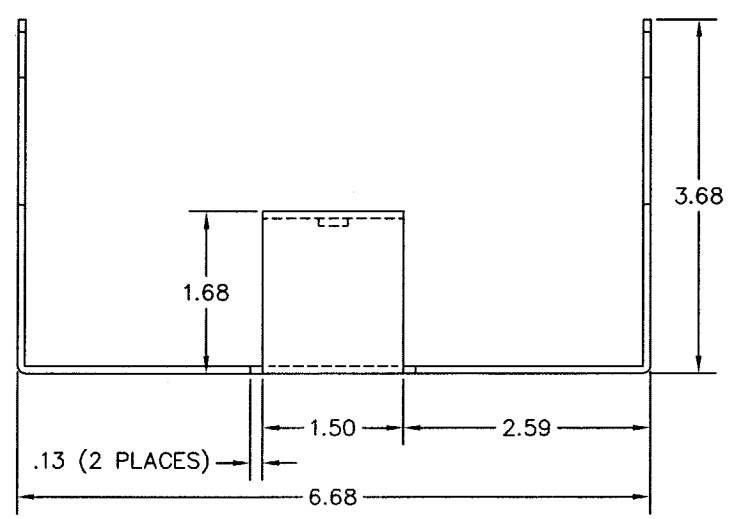
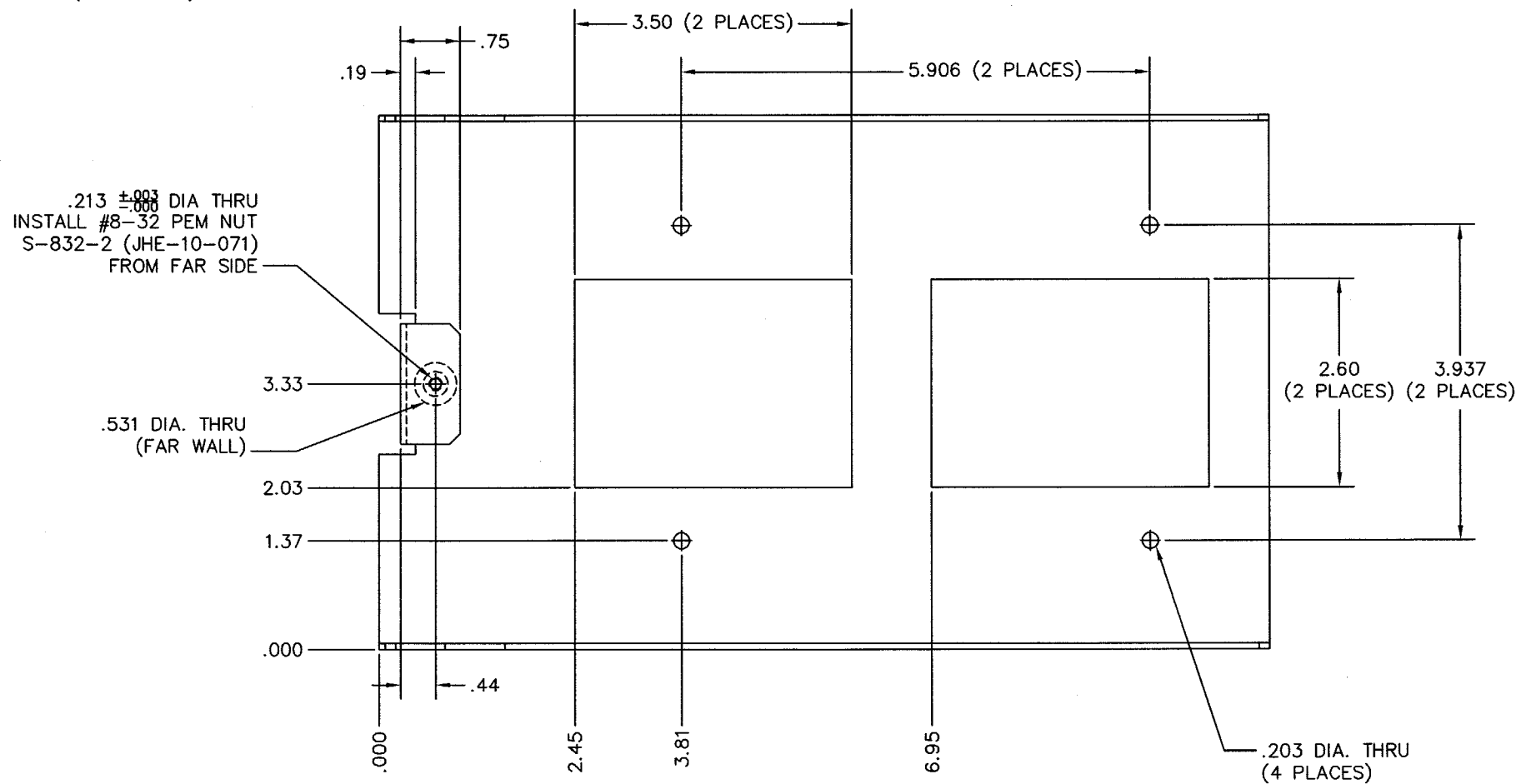


NOTE:

1. FINISH: ZINC PLATE WITH YELLOW CHROMATE
 PER ASTM SPEC B633-85, TYPE 2, CLASS 2 (.0005 THK.)

REVISIONS					
SYM.	DESCRIPTION	DATE	ENG	PUR	QULTY
A	ORIGINAL	9/17/99			



REV'D	PART No.	ITEM	NOMENCLATURE	MAT'L OR MFR.	MAT'L SPEC. OR CAT. No. OR REMARKS
LIST OF MATERIALS					
UNLESS OTHERWISE SPECIFIED, DIMENSIONS ARE IN INCHES AND TOLERANCES ARE AS FOLLOWS: <small>DECIMALS: .001 ±.0005 FRACTIONS: ± 1/64" HOLES ± 1/2°</small>			MATERIAL: .075 THK. (14 GA.) C.R.S.		FINISH: SEE NOTE 1.
SIGNATURE			DATE	TITLE	
DR. J. Leighton			9/17/99	BRACKET, DIN MTG. JWS300/JWS600	
USED ON			NEXT ASSY.	SCALE 1 / 1	
APPLICATION				LAMBDA PART No. & DWG. No. L-DIN3060-01-24	
				REV. A	
				SHEET 1 OF 1	

